



Tulua III PIR

Exterior Wall Lighting



Data Sheet

Product Information

The Tulua III PIR wall light is perfect for up/down lighting external walls with the added security feature of an integrated PIR sensor. Made of 304 grade stainless steel it is perfect for most areas.

Product Features

- 1 year warranty
- IP44
- Single or double GU10 35W max.
- Suitable for retro fit GU10 LED lamps
- Not suitable for high saline areas
- Products supplied less lamps

Product Specification

Product Code	Product Description	Wattage (W)	PIR Switch Time	PIR Range	PIR Minimum Lux Level	PIR Viewing Angle	Energy Efficiency Class	Protection Class
KSR1340	Tulua III 35W GU10 PIR Single Wall Light Stainless Steel	35	4000	2x 493	9	110°	D	I
KSR1341	Tulua III 2x 35W GU10 PIR Up & Down Wall Light Stainless Steel	2x 35	4000	2x 493	9	110°	D	I

Nominal voltage	220~240VAC
Operating frequency	50-60Hz
Ambient temperature range	-20°C~+40°C
Start time	< 0.5 sec
IP rating	44

Construction

Body: 304 Stainless Steel
Lens: Glass

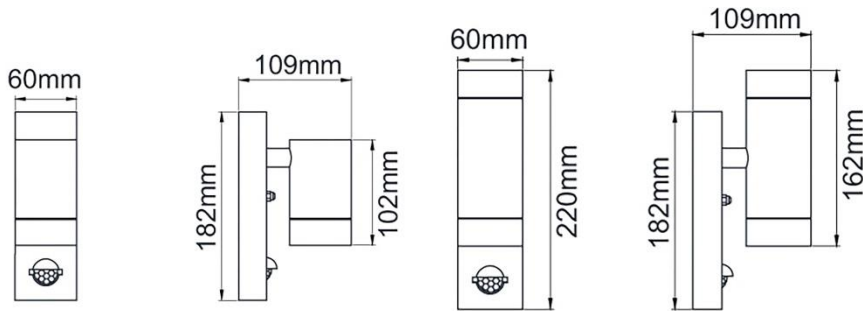
Standards

BSEN60598-1:2015 Luminaires – Part 1: General requirements and tests

In Conformity with

LVD Low voltage directive 2014/35/EU
EMC Electromagnetic compatibility directive 2014/30/EU
ERP Energy related products directive 2009/125/EC
RoHS Restriction of hazardous substances 2011/65/EU

Product Dimensions



KSR1340

KSR1341

KSR Lighting is constantly developing and improving its products. For this reason, all product descriptions in this data sheet are intended as a general guide, and KSR may change specifications from time to time in the interest of product development, without prior notification or public announcement. All descriptions in this data sheet present only general particulars of the goods to which they refer and shall not form part of any contract. Data in this guide has been obtained in controlled experimental conditions. However, KSR Lighting cannot accept any liability arising from the reliance on such data to the extent permitted.