

Product Range: Fire Rated GU10 Downlights

Part Number: NLFRDGU10



Description: Firebreak Qr GU10 canned downlight.

Key features:

- Insulation coverable – fit and forget
- 83mm can – perfect for shallow ceiling installation
- Spring clips – to minimise ceiling damage if removal required

Technical details:

General

Colour Options	White, Chrome & Satin Chrome
Light Source	Retro Fit GU10 LED Lamps Only, Not Suitable for Halogen Lamps
LED Expected Life	Variable, Depending on Lamp
Product Warranty	1 Year from Date of Purchase
Mounting Method	Ceiling Recessed Only
EAN	5060499511796

Electrical Parameters

Supply Voltage	200~240V AC
Frequency	50/60Hz
Circuit Wattage	10W GU10 LED Max
Circuit Current	Variable, Depending on Lamp
Driver mA Rating	N/A
PFC	N/A
In Rush Current	N/A

Classifications and Approvals

Earth Class	Class I
IP Rating	IP20 or IP65 Depending on Bezel Choice
Fire Rating (Part B)	BS 476: Part 21: 1987
Sound Insulating (Part E)	BS EN ISO 140-3:1995
Air & Moisture Rated (Part C)	BS EN ISO 140-6:1998
Efficiency Rated (Part L)	Lamp dependant
Energy Rating	Variable, Depending on Lamp
CE Marked	Yes
Designed In Accordance to	BS EN 60598-2

Installation

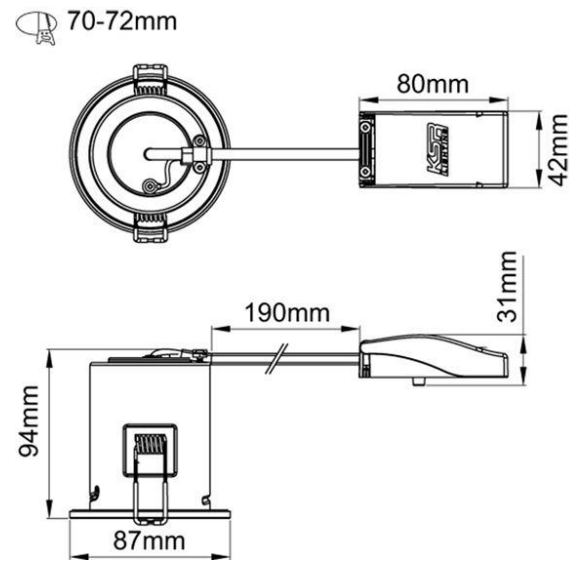
Cut-out	70-72mm
Minimum Void	100mm
Insulation	Can be loosely covered in insulation material
Working Ambient Temp.	0°C to +25°C
Primary Connections	Loop In/Out Push in Terminal Block
Secondary Connections	GU10 Lampholder
Accessories	IP20 or IP65 Rim Attachment

Performance

Luminous Flux	Variable, Depending on Lamp
Luminous Efficacy (L/pw)	Variable, Depending on Lamp
CCT	Variable, Depending on Lamp
CRI (Ra)	Variable, Depending on Lamp
Beam Angle	Variable, Depending on Lamp
Dimmable	Variable, Depending on Lamp
Tilt/Rotate	No, Fixed Position

Construction

Main Chassis	Mild Steel
Trim/Bezel	Aluminium
Diffuser	N/A
Lens	Toughened Glass (IP65 Only)
Heat Sink	N/A
Finish Type	Powder Coated Paint/Plated
Luminaire Weight	TBC



Rim Options

NLFRDWHI20
 NLFRDCHR20
 NLFRDS/CHR20
 NLFRDWHI65
 NLFRDCHR65
 NLFRDS/CHR65

White IP20 Die Cast Aluminium Bezel
 Chrome IP20 Die Cast Aluminium Bezel
 Satin Chrome IP20 Die Cast Aluminium Bezel
 White IP65 Die Cast Aluminium Bezel
 Chrome IP65 Die Cast Aluminium Bezel
 Satin Chrome IP65 Die Cast Aluminium Bezel

Date completed by manufacturer: 15th August 2018