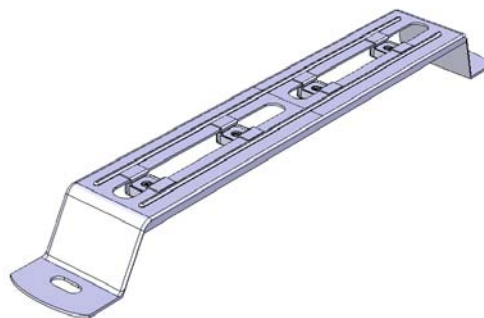


TOP HAT BRACKET



Part Number : NLZTHB225A

Description : 225mm Top Hat Bracket

Key features :

Finish	BZP
Material	Steel
Inner Pack Qty	20
Outer Pack Qty	100

Technical Details : Supplied with 2 x slot and 4 x M6 Captive nut
Compliant to LU Standard 1-085
(for use on surface & sub-surface locations)

Date completed by manufacturer : 20/07/2017