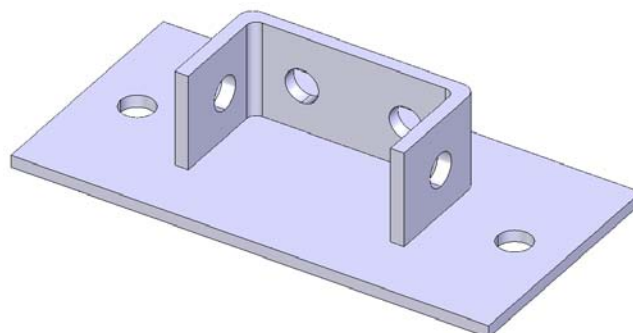


CHANNEL BRACKET



Part Number : NLZ705A

Description : Double Channel Base Plate

Key features :

Finish	Hot Dipped Galvanised
Material	Steel
Inner Pack Qty	5
Outer Pack Qty	25

Technical Details : Compliant to LU Standard 1-085
(For use on surface & sub-surface locations)
All holes are \varnothing 14mm

Date completed by manufacturer : 20/07/2017